



MACHENIKE

**M-GAME**

**MACHENIKE**  
**GAMEPAD** 

**G6 V2**

USER MANUAL 使用说明书

WARRANTY CARD 保修卡

\*Read manual before use. Keep for reference\*

\*使用本产品前请仔细阅读说明书，妥善保存以备参考\*

## PACKING CONTENTS

Please check and confirm the accessories



1 x Controller



1 x USB Data Cable



1 x User Manual, Certificate  
Of Compliance



1 x Joystick Torque Tab

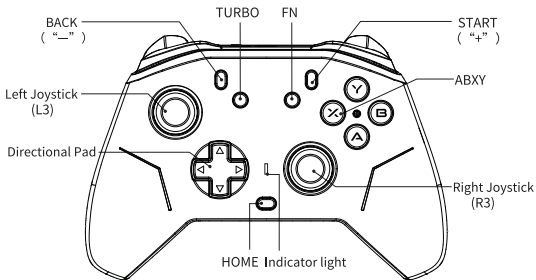


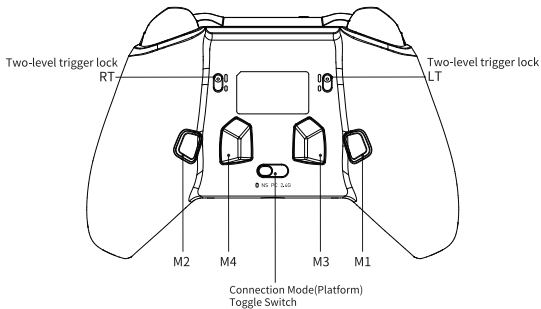
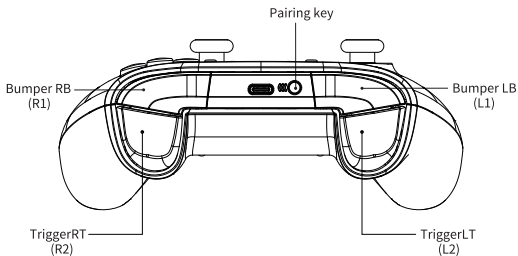
1 x Receiver



2 x High-Rise Silicone Joystick Caps  
2 x Low-Rise Silicone Joystick Caps

## BUTTON LAYOUT





## CONNECTION

Before establishing a wireless connection, please ensure to switch to wireless mode using the combination keys.

**RECEIVER Mode** — Device name: Automatically matches receiver connected device;

**PC Mode** — Device Name: Xbox Wireless Controller;

**NS Mode** — Device Name: Pro Controller;

**Mobile Mode** — Device Name: G6V2\_Touch

**Wireless Connection:** After switching to the corresponding gear, press and hold the pairing button until the indicator light flashes quickly, and the controller enters the pairing state, and connects to the corresponding device name above.

**Wired Connection:** After the mode is switched to the corresponding gear, directly connect the device and the controller through the included data cable for use.

**Controller Sleep/Reconnect:** In wireless mode (Bluetooth/Receiver), if there's no activity for 10 minutes, the controller will automatically power off. Press the HOME button to wake up the controller, and it will automatically reconnect to the previous device.

**Turn off the controller:** When using wireless connection (Bluetooth/Receiver), press and hold the HOME button for more than 5 seconds to shut down the controller.

## BATTERY INFORMATION

### • Battery indicator

#### Battery status

- 20%—100%
- 10%—20%
- Less than 10%

#### Battery indicator

- Ice blue indicator light stays on
- Red indicator light stays on
- Red indicator light flashes

## Charging status

- 0%—20%
- 20%—100%
- Fully charged

## Battery indicator

- Red indicator light flash
- Ice blue indicator light flash
- Ice blue indicator light stays on

**Note:** During pairing and some function adjustments, the channel indicator lights will temporarily serve as function indicators and return to battery level display after about 3 seconds. When using a wired connection, the channel indicator lights display real-time charging status, while in wireless mode, they display real-time battery level.

**Attention! Don't use a power source exceeding 5V 1A to charge the controller, to avoid causing damage to the device.**

## COMBINATION BUTTONS

FUNCTION	COMBINATION BUTTONS	INDICATOR LIGHTS /NOTES
Light Brightness Adjustment	[FN] + D-pad [←]	/
Light Mode Adjustment	[FN] + D-pad [→]	/
Vibration Intensity Adjustment	[FN] + D-pad [↑]/[↓]	/
Screenshot	Press [FN]	Only for Switch
Joystick Dead Zone Switch	[L3] + [R3] simultaneously pressed for 5s	Successful switch confirmation with vibration
Motion-Sensing Controls	Press [FN] + [L3] to map motion controls to the left joystick. Press [FN] + [R3] to map motion controls to the right joystick.	Successful switch confirmation with vibration

Controller Mode Switch (Xinput/Dinput/Switch)	Holding the [BACK] + [START] buttons for 3 seconds.	Only for Receiver Mode
Joystick Circular Area Adjustment Switch	Left joystick: [FN]+ joystick[ ↑ ]/[ ↓ ] Right joystick: [FN]+ joystick[ ↑ ]/[ ↓ ]	<b>Left joystick:</b> The decorative lights indicate from left to right <b>Right joystick:</b> The decorative lights indicate from left to right

\*When using combination keys, it is essential to follow the specified button sequence mentioned above; otherwise, switching may not work correctly.

## ADVANCED FUNCTIONALITY

### Programming Buttons Macros:

- Controller Operation:

- 1, With the controller already connected, simultaneously press the FN key + M1/M2/M3/M4 key. The decorative light strip will continuously flash, indicating that you've entered the recording mode. If it doesn't flash, please repeat this operation.
- 2, Sequentially input the function keys you want to set.
- 3, After setting is complete, briefly press the corresponding macro key (M1/M2/M3/M4). The decorative light strip backlight will stop flashing and return to the previous mode, indicating that the configuration is complete.

**Note:** Clearing the current M1 macro definition:

While the controller is in working status, simultaneously press FN + M1. The decorative light strip will continuously flash, and then press the M1 key once more. The decorative light strip will stop flashing, clearing the current custom function. The same steps apply to clearing other macro keys.

## TURBO Function:

**Supported TURBO buttons:** A/B/X/Y/LB/LT/RB/RT

**Manual TURBO Function:** When the manual TURBO function is enabled for the A button, you need to manually hold down the A button to activate it.

**To enable the TURBO function:**

- 1, Press and hold TURBO+A and then release it. At this point, the A button activates the manual continuous fire function.
- 2, Press TURBO+A again. Now, the A button activates the automatic continuous fire function.
- 3, Press TURBO+A once more to disable the continuous fire function.

**Note:** TURBO+A/B/X/Y/LB/LT/RB/RT can be used to enable the TURBO function for the corresponding buttons. When buttons are in continuous fire mode, the indicator light will flash in synchronization.

**\*Clear All TURBO Functions:** Press and hold the TURBO button for 5 seconds until the controller vibrates once, indicating successful reset.

## APP Download for Android/HarmonyOS/iOS:

- 1, Download the app and related firmware updates from the Machenike official website: <https://global.machenike.com/>
- 2, Or scan the QR code on the right using your browser to access the download page.
- 3, For HarmonyOS, please download the Android version of the app.

## Connection Steps:

- 1, After correctly installing the Keylinker software on your phone, confirm the relevant permissions prompts that appear when you first start the app.
- 2, Start the controller in any mode, and you can find "G6V2\_APP" on the Keylinker app's main page.
- 3, Click "G6V2\_APP" to connect and enter the customization interface.



**Note:** \*This function does not require the controller to connect to the mobile phone via Bluetooth. Follow the above operations to open Keylinker to change the controller settings.

**Note: Harmony 5.0 and above do not support Keylinker**

## RESET

When the controller is unresponsive or unable to identify the working mode during operation or access, you can pull out the USB cable of the controller and reconnect it, or use the manual mode to select into the corresponding working mode. If the problem still can not be solved, please long press the [HOME] button for 10 seconds or check the compatibility of the operating system and equipment with the controller, if still can not be solved, please contact the dealer customer service.

## Copyright Information

PlayStation is a registered trademark of Sony Interactive Entertainment (SIE).

XBOX/Windows is a registered trademark of Microsoft Corporation.

Android is a trademark of Google Inc.

Nintendo Switch is a registered trademark of Nintendo Co.

Macos is a registered trademark of Apple Inc. in the United States or other countries.

Other system and product names that appear in this document are generally registered trademarks or trademarks of the respective developer companies. Please note that the ™ logo and ® logos do not appear in this document.

Please consult customer service or the brand's website for updates to the product firmware without notice.

Machenike Official Website: <https://global.machenike.com/>

## SPECIFICATIONS

ITEM	DATA
Input Power	5.0V $\approx$ 500mA
Battery Capacity	3.7V /1200mAh
Use Distance Range	$\leq$ 10M

## Safety Warning

Please read and strictly follow the safety instructions below before using this product to ensure optimal performance, safe operation, and to prevent hazards or unlawful behavior:

1. Use this product within an ambient temperature range of 0°C to 35°C. The recommended storage temperature range is -10°C to 40°C. Operating or storing the device outside these limits may result in malfunction.
2. This product and its accessories may contain small components. Keep them out of the reach of children to prevent accidental injury, choking, or other hazards.
3. Avoid exposing the product and its accessories to rain, liquids, or moisture, as this may result in fire or electric shock.
4. Keep the product and the battery or battery pack, if applicable, away from open flames, high-temperature environments, and direct sunlight to prevent potential damage.
5. Dispose of the product and its accessories in accordance with local regulations. Do not discard them as household waste. Improper disposal, especially of battery or battery pack, may result in explosion.
6. Do not disassemble, modify, or repair the product or its accessories (including the replacement of the built-in battery or battery pack, if applicable) without professional authorization. Improper handling may result in device damage or personal injury and will void the warranty.
7. If the product supports power supply or charging via an external adapter, use only certified adapters that comply with applicable national or regional safety standards.

## Safety Warning

8. If the product is equipped with a battery or battery pack, pay special attention to the following precautions:

- Do not incinerate or expose the battery or battery pack to heat, as this may cause an explosion.
- Do not disassemble, drop, crush, or modify the battery or battery pack to avoid mechanical damage that could result in explosion.
- Do not insert foreign objects into, or puncture, the battery or battery pack or its compartment.
- Do not immerse the battery or battery pack in water or any other liquid. Do not use the product if it has been exposed to moisture.
- Avoid external impact or pressure on the battery or battery pack to prevent leakage, overheating, fire, or explosion.
- Do not use or store the battery or battery pack outside the recommended temperature range, as this may lead to explosion or leakage of flammable substances.
- The battery or battery pack may leak or explode when subjected to extremely low air pressure.
- If the battery or battery pack is replaceable, follow the instructions in the user manual strictly. Improper replacement may pose an explosion hazard.
- Only use the same or an equivalent type of battery or battery pack as specified. Using the wrong type may compromise the product's safety mechanisms.

## 产品清单

### 请检查并确认附件



1 x 手柄



1 x USB充电数据线



1 x 使用说明书、保修卡、合格证



1 x 摇杆调节片

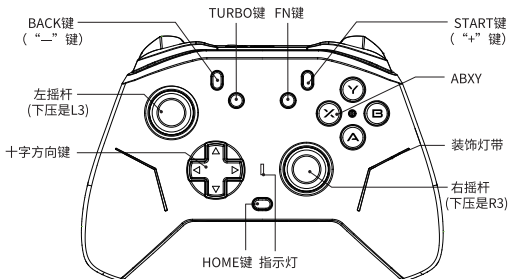


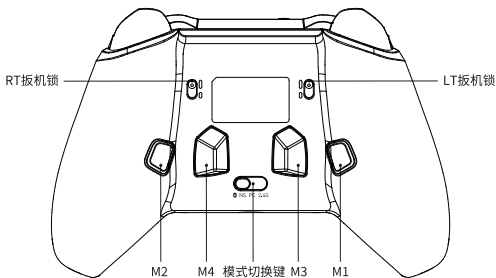
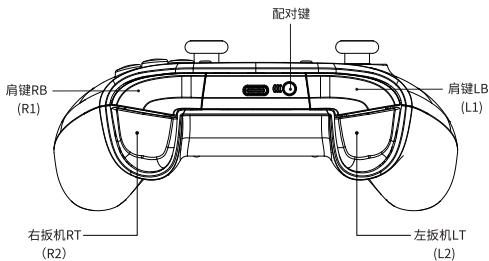
1 x 接收器



2 x 高硅胶摇杆帽, 2 x 低硅胶摇杆帽

## 按键布局





## 基本连接说明

产品拥有一键唤醒功能,在连接之前请先选择对应的设备模式

接收器模式——设备名称: 根据连接的设备自动匹配;

PC模式——设备的名称:Xbox Wireless Controller;

NS模式--设备的名称:Pro Controller;

☑手机模式--设备的名称:G6V2\_Touch

**无线连接:** 模式切换至对应档位之后, 长按配对键直到指示灯快闪, 则手柄进入配对状态, 连接以上对应的设备名称即可。

**有线连接:** 模式切换至对应档位之后, 通过附赠的数据线直接连接设备和手柄, 即可使用。

**手柄休眠/回连:** 无线连接使用 (蓝牙/接收器模式), 10分钟不操作手柄会自动关机休眠; 下次连接设备, 通过短按HOME键可唤醒手柄, 并自动回连设备。

**手柄关机:**无线连接使用 (蓝牙/接收器模式), 长按HOME键5s以上手柄关机。

## 电量说明

### 手柄电量显示

#### 手柄电源状态

- 20%——100%电量
- 10%——20%电量
- 低于10%电量

#### 状态指示灯

- 冰蓝指示灯常亮
- 红色指示灯常亮
- 红色指示灯闪烁

#### 充电指示

- 0-20%充电
- 20%-100%充电
- 满电

#### 状态指示灯

- 红色指示灯慢呼吸
- 冰蓝色指示灯慢呼吸
- 冰蓝色指示灯常亮

**注意！请勿用超过5V=1A的电源给手柄充电，以免造成机器损坏。**

注：在配对及部分功能调整时，通道指示灯会临时用作功能指示，约3秒后返回电量显示功能。有线连接使用时，通道指示灯显示实时充电状态；无线连接使用时，通道指示灯显示实时电量状态。

## 功能组合键操作指南

功能	组合键	指示灯/备注
灯光亮度调节	[FN]+十字键[←]	/
灯光模式调节	[FN]+十字键[→]	/
震动强度调节	[FN]+十字键[↑]/[↓]	/
截图	单击[FN]	仅连接Switch主机有效
摇杆中心死区切换	[L3]+[R3]同时下压5s	切换成功震动提示
体感映射	[FN]+[L3]开启/关闭映射左摇杆 [FN]+[R3]开启/关闭映射右摇杆	切换成功震动提示
手柄模式切换 (循环切换Xinput/Dinput /Switch模式)	[BACK]键+[START]键长按3s	仅2.4G连接支持
摇杆方圆调节	左摇杆：[FN]+左摇杆[↑]/[↓] 右摇杆：[FN]+右摇杆[↑]/[↓]	左摇杆： 装饰灯从左往右指示 右摇杆： 装饰灯从右往左指示

\*使用组合键时，请务必按照上述的按键顺序进行操作，否则会出现无法切换的问题

### 编程键宏定义

#### • 手柄操作：

- 1、在手柄已连接状态下，同时按下FN键+M1/M2/M3/M4键此时装饰灯条持续闪烁，表示已进入录制状态,若未闪烁请重复此操作。
- 2、依次录入需要设置的功能键
- 3、设置完成后短按对应宏键（M1/M2/M3/M4），手柄的装饰灯条停止闪烁并恢复至之前的模式，表示完成设置。

**注：清除M1当前宏定义操作：**手柄工作状态下，同时按FN+M1，装饰灯带持续闪烁，然后再按一下M1键，装饰灯带停止闪烁，则清除当前自定义功能。其他宏键清除步骤同理。

### TURBO功能

支持TURBO的按键：A/B/X/Y/LB/LT/RB/RT；

手动TURBO功能：按TURBO+A键可开启A键的手动TURBO功能，需要手动按住A，才会触发；

自动TURBO功能：开启手动TURBO功能之后，再次按TURBO+A键；

关闭TURBO功能：开启自动TURBO功能之后，再次按TURBO+A键，则为关闭连发功能。

### 更多自定义功能可在Keylinker中进行设置

#### APP下载——安卓/鸿蒙/iOS

- 在机械师官网中下载APP, 以及相关更新的固件。  
地址：<https://machenike.com/shoubing/download>
- 使用浏览器扫描右侧二维码进入下载界面；
- 鸿蒙系统请下载安卓版本即可。



鸿蒙5.0及以上不支持Keylinker

## 连接步骤

- 1、在手机正确安装Keylinker软件后,首次启动时,弹出的相关权限申请需按提示确认;
- 2、任意模式启动手柄,可在Keylinker软件主页中搜到“G6V2\_APP”
- 3、单击“G6V2\_APP”连接并进入自定义界面;

注: \*此功能无需手柄蓝牙连接手机,按上述操作打开Keylinker即可更改手柄设置。

## 重置手柄

当手柄在操作过程中或接入时,出现无响应或无法识别工作模式时,可以将手柄的USB连接线拔出并重新连接,亦可使用手动模式选择进入相应的工作模式。如果问题仍不能解决,请长按[HOME]键10秒或检查操作系统和设备与本手柄的兼容性问题,若仍然无法解决,请联系经销商客服。

## 版权等信息

XBOX/Windows 是美国微软公司 (Microsoft Corporation) 的注册商标。

Android 是 Google Inc. 的商标。

Nintendo Switch 是任天堂株式会社便携式游戏机的注册商标。

出现在本文档中的其他系统名和产品名通常是各开发商公司的注册商标或商标。

请注意,本文档中没有出现™标志和®标志。

当产品固件有更新时,请自行咨询客服或前往品牌官网查看,诉不另行通知。

机械师官网: <https://www.machenike.com>

## 规格

### 综合

项目	参考值
执行标准	Q/0212LSKJ0910-2019
输入电源	5.0V $\equiv$ 500mA
电池容量	3.7V /1200 mAh
使用距离范围	$\leq$ 10M



### 安全警告

在使用本产品前，请仔细阅读并遵守以下注意事项，以确保产品性能、安全使用并避免危险或非法行为：

1. 请在0°C至35°C环境温度下使用本产品，存放温度范围为-10°C至40°C。超出此范围可能导致设备故障。
2. 本产品及其配件可能含有小部件，应置于儿童接触不到的地方，以防误伤、误吞造成窒息或其他危险。
3. 避免产品及配件接触雨水、液体或受潮，以免引发火灾或触电风险。
4. 请远离火源、高温环境及阳光直射，避免对产品或电池造成损害（如适用）。
5. 请根据当地法规回收处理产品和配件，不得作为生活垃圾丢弃。若产品含有电池，错误处理可能导致电池爆炸。
6. 请勿自行拆卸、改装或维修产品及配件（包括更换内置电池，如适用），否则可能导致设备损坏或人身伤害，且不在保修范围内。
7. 如产品支持电源适配器供电或充电，请选用获得CCC认证且符合标准的适配器。
8. 若产品配有电池或电池组，请特别注意以下事项：
  - 禁止投入火中或加热，以防爆炸。
  - 禁止拆解、跌落、挤压或改装电池，防止机械损伤引发爆炸。
  - 禁止异物插入或穿刺电池或其安装部位。
  - 禁止浸入水中或其他液体，如已进水请勿再使用。
  - 避免电池遭受外力撞击或挤压，以防漏液、过热、起火或爆炸。
  - 不得在超出建议温度范围的环境中使用或存放，以防发生爆炸或泄漏可燃物质。
  - 电池在极低气压环境下可能发生泄漏或爆炸。
  - 若电池可更换，请严格按照说明书操作，不当更换可能存在爆炸风险。
  - 仅使用相同型号或等效型号电池进行更换，使用错误型号可能导致安全防护失效。

## 微功率短距离设备声明

本产品及附件中的接收器具备《中华人民共和国无线电管理条例》规定的微功率短距离无线电发射能力，根据《中华人民共和国工业和信息化部公告2019年第52号》要求，声明如下：

- 符合“微功率短距离无线电发射设备目录和技术要求”中通用微功率设备F类设备的技术要求。采用内置天线。控制、开关等相关信息请参考本使用手册接收器连接设备的部分说明。
- 不得擅自改变使用场景或使用条件、扩大发射频率范围、加大发射功率（包括额外加装射频功率放大器），不得擅自更改发射天线。
- 不得对其他合法的无线电台（站）产生有害干扰，也不得提出免受有害干扰保护。
- 应当承受辐射射频能量的工业、科学及医疗（ISM）应用设备的干扰或其他合法的无线电台（站）干扰。
- 如对其他合法的无线电台（站）产生有害干扰时，应立即停止使用，并采取措施消除干扰后方可继续使用。
- 在航空器内和依据法律法规、国家有关规定、标准划设的射电天文台、气象雷达站、卫星地球站（含测控、测距、接收、导航站）等军民用无线电台（站）、机场等的电磁环境保护区域内使用微功率设备，应当遵守电磁环境保护及相关行业主管部门的规定。
- 禁止在以机场跑道中心点为圆心、半径5000米的区域内使用各类模型遥控器。
- 微功率部分使用时温度和电压的环境条件与产品主体相同。

## FCC Caution:



This device complies with part 15 of the FCC Rules. Operation is subject to the following two conditions: (1) This device may not cause harmful interference, and (2) this device must accept any interference received, including interference that may cause undesired operation.

Any Changes or modifications not expressly approved by the party responsible for compliance could void the user's authority to operate the equipment.

Note: This equipment has been tested and found to comply with the limits for a Class B digital device, pursuant to part 15 of the FCC Rules. These limits are designed to provide reasonable protection against harmful interference in a residential installation. This equipment generates uses and can radiate radio frequency energy and, if not installed and used in accordance with the instructions, may cause harmful interference to radio communications. However, there is no guarantee that interference will not occur in a particular installation. If this equipment does cause harmful interference to radio or television reception, which can be determined by turning the equipment off and on, the user is encouraged to try to correct the interference by one or more of the following measures:

- Reorient or relocate the receiving antenna.
- Increase the separation between the equipment and receiver.
- Connect the equipment into an outlet on a circuit different from that to which the receiver is connected.
- Consult the dealer or an experienced radio/TV technician for help.

RF warning for Portable device: The device has been evaluated to meet general RF exposure requirement. The device can be used in portable exposure condition without restriction.

## 产品中有害物质的名称及含有信息表

部件名称		印刷电路板 组件	电池 组件	马达 组件
有 害 物 质	铅 (Pb)	×	○	○
	汞 (Hg)	○	○	○
	镉 (Cd)	○	○	○
	六价铬 (Cr(VI))	○	○	○
	多溴联苯 (PBBs)	○	○	○
	多溴二苯醚 (PBDEs)	○	○	○
	邻苯二甲酸二正丁酯 (DBP)	○	○	○
	邻苯二甲酸二异丁酯 (DIBP)	○	○	○
	邻苯二甲酸丁苄酯 (BBP)	○	○	○
	邻苯二甲酸二(2-乙基)己酯 (DEHP)	○	○	○

本表格依据SJ/T 11364-2024的规定编制。

注1:

○：表示该有害物质在该部件所有均质材料中的含量均满足电器电子产品有害物质限制使用国家标准要求。

×：表示该有害物质至少在该部件的某一均质材料中的含量不满足电器电子产品有害物质限制使用国家标准要求。

注2:

以上未列出的部件，表明其有害物质含量均满足电器电子产品有害物质限制使用国家标准要求。

表中标记“×”的部件，皆因全球技术发展水平限制而无法实现有害物质的替代。



该电子电气产品含有某些有害物质，在环保使用期限内可以放心使用，超过环保使用期限之后则应该进入回收循环系统。

### 《废弃电器电子产品回收处理管理条例》

我公司倡导环保和低碳的消费体验，建议拥有该产品的用户在不需此产品时，应遵守国家废弃电器电子产品回收处理相关法律法规，将其交给当地具有国家认可的回收处理资质的厂商进行回收处理，降低资源浪费，保护地球自然环境。

# MACHENIKE产品保修承诺

- 1、在用户按本技术使用说明书正确使用该产品的前提下，本产品自购买之日起一年内免费保修。保修服务方式为返厂维修，报修方式请扫产品包装盒上售后二维码进行报修。
- 2、我方因下列使用者个人的原因而造成的故障将不提供免费保修服务。  
如：
  - (1) 擅自拆装、改装该产品而造成的故障；
  - (2) 在使用、搬运的过程中不慎摔打、跌落、进液、供电规格不符而造成的故障；
  - (3) 因缺乏合理的保养而造成的故障；
  - (4) 没有按使用说明书正确指示进行操作；
  - (5) 第三方厂品、服务或行为导致的故障或损坏等等。
- 3、在要求提供免费保修服务时，您必须提供清晰、完整和准确的销售发票和保修卡，购买产品时，可要求销售商提供上述销售发票和保修卡。
- 4、保修范围外的维修服务，将按规定收费。

## 保修卡

尊敬的用户：

感谢您选购本公司产品,我公司将按照《中华人民共和国消费者权益保护法》和国家技术监督局、国家工商行政管理局、财政部关于《部分商品修理更换退货责任规定》的有关规定，为您提供保修服务，请认真填写此卡并妥善保管，以便日后凭此卡维修。

客户姓名：\_\_\_\_\_ 电子邮件：\_\_\_\_\_

联系电话：\_\_\_\_\_ 邮政编码：\_\_\_\_\_

通信地址：\_\_\_\_\_

产品名称：\_\_\_\_\_ 产品型号：\_\_\_\_\_

购机日期：\_\_\_\_\_

购机渠道：\_\_\_\_\_

机身编号：\_\_\_\_\_

## 产品性能故障表

送修日期	性能故障描述	工程师签字	完成日期

### 备注：

- 1、请妥善保管此卡，保修时需出示此卡及购买凭证。
- 2、产品自购买之日起，凭购买凭证整机免费保修1年。
- 3、下列情况不属于免费服务范围，但可实行收费维修、终身服务；
  - 1) 不能出示保修说明及发票；
  - 2) 发票涂改；
  - 3) 意外因素或使用不当造成损坏；
  - 4) 未经我司许可，自行修理造成的损坏；
  - 5) 超过三包有效期，经修复仍可继续使用；

**合格证**

QUALIFIED CERTIFICATE



**检验**

MACHENIKE CERTIFIED

